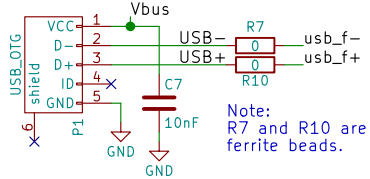
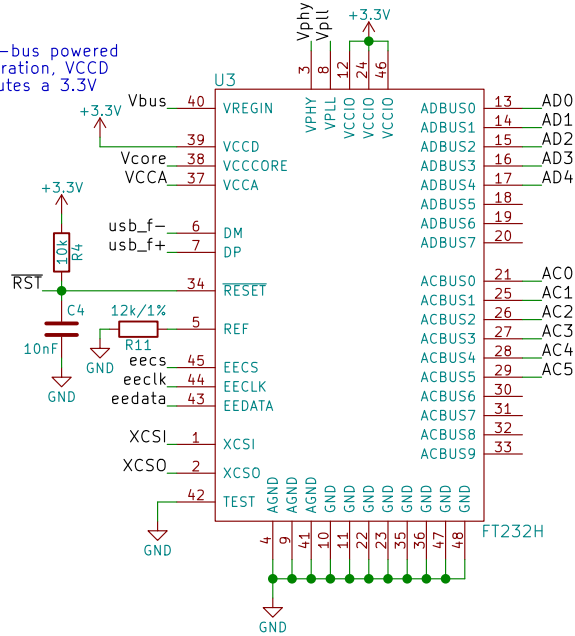


## Micro-USB Connector

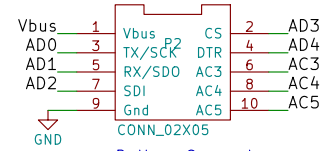


## USB to Serial Converter

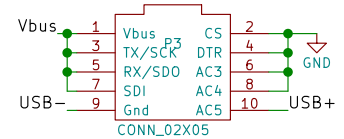
Note: In USB-bus powered configuration, VCCD constitutes a 3.3V output.



## Mezzanine Connections

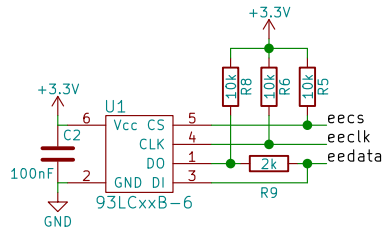


Bottom Connector Provides interface to sister board.

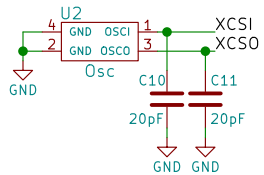


Male connector Optional Header for optoisolation stacker.

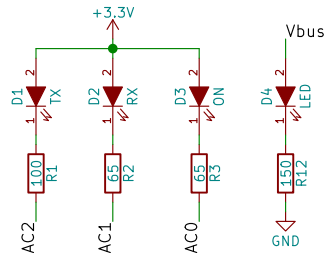
## External EEPROM



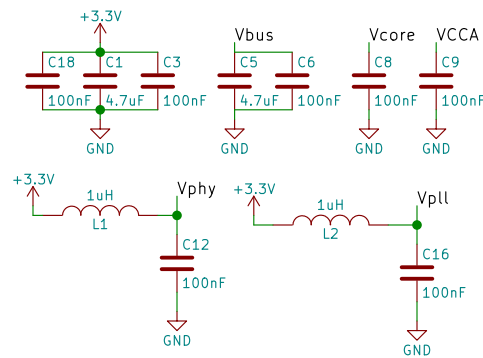
## External Oscillator



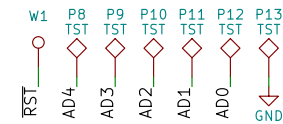
## Indicator LEDs



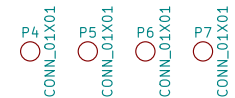
## Decoupling Circuits



## Test Points



## Mounting Spacers



Author: Ryan Summers

Palouse Robosub

Sheet: /

File: interface-converter.sch

Title: Serial Interface Converter

Size: A Date: 2016-11-16

KiCad E.D.A. kicad 4.0.4+e1-630848ubuntu14.04.1-stable

Rev: 1

Id: 1/1